

Cedervall forward non-split oil lubricated stern-tube seal type MDL-575/150

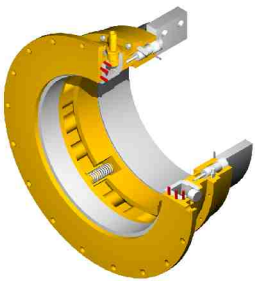


The forward Cedervall non-split stern-tube seal type MDL is fitted with a liquid cooled "free-floating" alignment ring. A spring loaded white metal ring aligned with spherical driving pins to allow fluctuations in the shaft line. This design of the driving pin also decrease the pressure on the packing.

The MDL type seal, together with our aft split type KR seal, complies with the requirements of the classification societies permitting shaft removal at intervals of up to 15 years.

The forward seal is also available in a fully split and a semi split version.

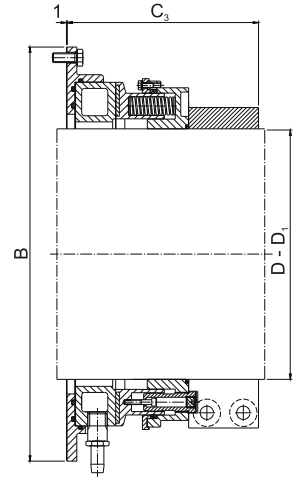
For technical specification, see back-cover of this leaflet.



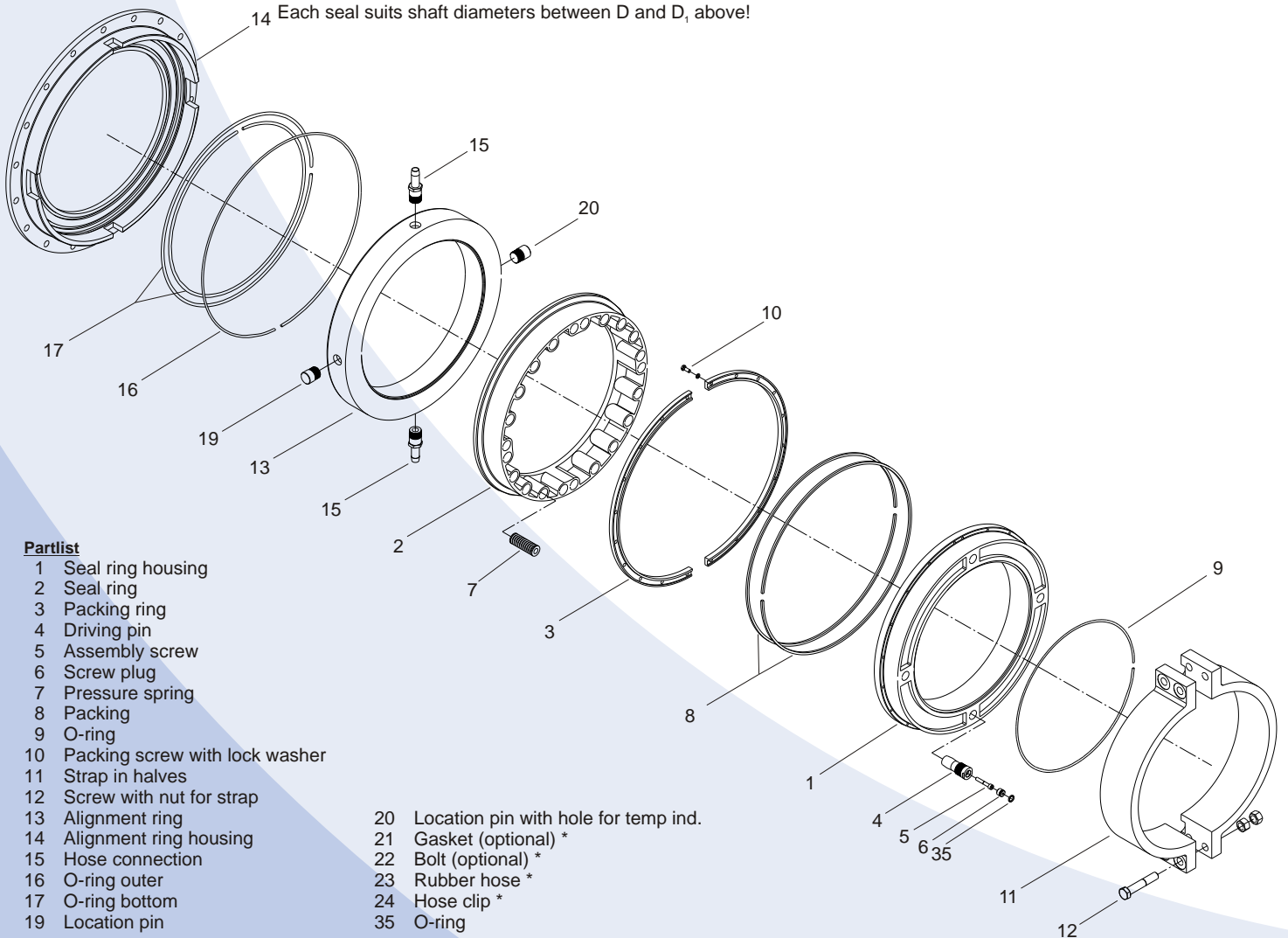
Cedervall forward non-split oil lubricated stern-tube seal type MDL-575/150

All dimensions in mm.

Size	D	-	D ₁	B	C ₃	Size	D	-	D ₁	B	C ₃	Size	D	-	D ₁	B	C ₃
02	66	-	78	237	215	15	336	-	354	605	300	31	620	-	644	895	335
01	79	-	91	250	215	16	355	-	373	624	315	32	645	-	669	920	335
1	92	-	104	267	215	17	374	-	392	643	315	33	670	-	699	995	410
2	105	-	116	279	215	18	393	-	411	662	315	34	700	-	729	1025	410
3	117	-	132	295	215	19	412	-	430	681	315	35	730	-	759	1055	410
4	133	-	151	314	215	20	431	-	449	700	330	36	760	-	789	1085	410
5	152	-	170	333	215	21	450	-	464	719	330	37	790	-	819	1115	420
6	171	-	189	358	215	22	465	-	479	738	330	38	820	-	849	1145	420
7	190	-	205	400	240	23	480	-	494	753	330	39	850	-	879	1175	420
8	206	-	224	437	245	24	495	-	509	768	330	40	880	-	909	1205	420
9	225	-	243	456	245	25	510	-	524	783	330	41	910	-	939	1235	420
10	244	-	262	475	255	26	525	-	539	798	330	42	940	-	969	1265	420
11	263	-	278	491	255	27	540	-	554	810	330	43	970	-	999	1295	420
12	279	-	297	514	255	28	555	-	574	830	335	44	1000	-	1029	1325	420
13	298	-	316	541	290	29	575	-	594	850	335						
14	317	-	335	586	300	30	595	-	619	870	335						



14 Each seal suits shaft diameters between D and D₁ above!



Partlist

- | | | | |
|----|--------------------------------|----|--------------------------------------|
| 1 | Seal ring housing | 20 | Location pin with hole for temp ind. |
| 2 | Seal ring | 21 | Gasket (optional) * |
| 3 | Packing ring | 22 | Bolt (optional) * |
| 4 | Driving pin | 23 | Rubber hose * |
| 5 | Assembly screw | 24 | Hose clip * |
| 6 | Screw plug | 35 | O-ring |
| 7 | Pressure spring | | |
| 8 | Packing | | |
| 9 | O-ring | | |
| 10 | Packing screw with lock washer | | |
| 11 | Strap in halves | | |
| 12 | Screw with nut for strap | | |
| 13 | Alignment ring | | |
| 14 | Alignment ring housing | | |
| 15 | Hose connection | | |
| 16 | O-ring outer | | |
| 17 | O-ring bottom | | |
| 19 | Location pin | | |

Items marked * is not shown in this exploded view.

We reserve the right to change dimensions without prior notice.

www.cedervall.com

